

Cable List:
Power Supply:
 Near each ClimateSync wiring centre:
 1 x 13Amp switched Fused Spur 110 - 240 VAC (for ClimateSync).
 1 x standard power socket (for the CoolLinkHub).

CoolMaster: (AV Rack) standard power Socket.
Ethernet Sockets (Internet connection):
 1 x LAN socket near the CoolMaster (AV Rack).
 2 x LAN socket near each wiring centre (for the ClimateSync & CoolLinkHub).

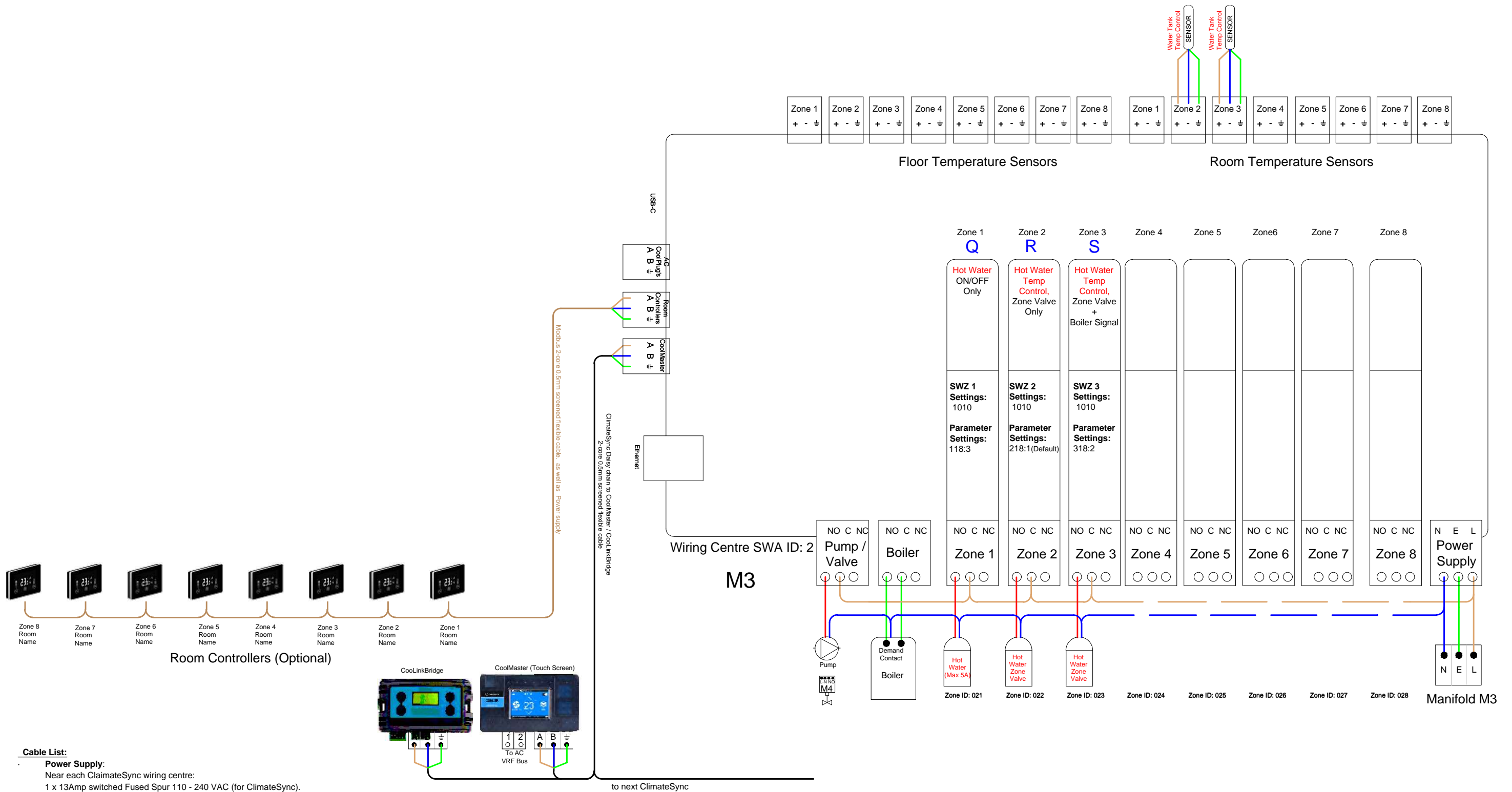
- Room & Floor Temperature sensors:** 2-core 0.75mm flexible screened cable to each sensor.
 floor sensors should be placed near the flooring material but not near the water pipes.
 room sensors should be placed on internal walls at 1400mm height, at a central room location away from heat sources or direct sunlight.
- ClimateSync to CoolMaster Modbus Daisy chain:** daisy chain all ClimateSync wiring centers to the CoolMaster / CoolLinkBridge (AV Rack) using a 2-core 0.5mm flexible screened cable.
- ClimateSync to CoolMaster direct modbus link:** a 2-core 0.5mm flexible screened cable from each ClimateSync to the CoolMaster.
- ClimateSync to CoolPlug modbus Daisy chain:** 2-core 0.5mm flexible screened cable from each ClimateSync wiring centre to the respective CoolPlug's.
- CoolPlug to indoor unit:** from each CoolPlug to its respective Indoor AC fan coil unit, 2-core 0.75mm flexible cable
- Heating actuators, boiler and pump/valve:** install cables as required to connect the items to the ClimateSync wiring centre.
- CoolMaster to VRF Communication:** Install a 2-core 0.75mm flexible screened cable from the CoolMaster and Daisy chain to all VRF/VRF outdoor units

Note: for Electric UFH, the limit per ClimateSync relay is 5Amp. install a contactor for higher rates.
 Note: for water FCU's, use cable specification as required for the specific application. contact us if in doubt.

- Optional Wall Controllers:**
 - Optional budget wall controller:**
 Back box: 1-gang 47mm deep back box.
 communication: Daisy chain: 2-core 0.5mm flexible screened cable from each ClimateSync wiring centre to the respective wall controllers.
 Power Supply: 240vac power supply to each wall controller.
 - Optional ClimatePad wall controllers:**
 Back box: 2-gang 47mm deep back box installed behind the plasterboard (to create 57mm depth).
 communication: Daisy chain: 2-core 0.5mm flexible screened cable from each ClimateSync wiring centre to the respective wall controllers.
 Power Supply: Daisy chain 2-core 0.5mm flexible cable from a 5vdc power supply unit near each ClimateSync wiring centre to the respective wall controllers.
 - Optional CentralPad (Central Controller for a single ClimateSync wiring centre):**
 Back box: 2-gang 47mm deep back box installed behind the plasterboard (to create 57mm depth).

Client:	Page: A3	Tenways Engineering Services Ltd Climate Controls Experts 85 Kenilworth Road, London, HA8 8XA Tel: +44 20 8203 1105 Email: info@tenways.co.uk Web: www.tenways.co.uk
Project: ClimateSync Samples	Date: 15/02/2024	
Drawing: Zone Types: Q,R,S	Var: 2	
Description: Heating & Cooling Wiring Centre	Scale: NTS	





Cable List:

- Power Supply:**
 - Near each ClimateSync wiring centre:
 - 1 x 13Amp switched Fused Spur 110 - 240 VAC (for ClimateSync).
 - 1 x standard power socket (for the CoolLinkHub).

CoolMaster: (AV Rack) standard power Socket.

- Ethernet Sockets (Internet connection):**
 - 1 x LAN socket near the CoolMaster (AV Rack).
 - 2 x LAN socket near each wiring centre (for the ClimateSync & CoolLinkHub).

- Room & Floor Temperature sensors:** 2-core 0.75mm flexible screened cable to each sensor.
 - floor sensors should be placed near the flooring material but not near the water pipes.
 - room sensors should be placed on internal walls at 1400mm height, at a central room location away from heat sources or direct sunlight.

- ClimateSync to CoolMaster Modbus Daisy chain:** daisy chain all ClimateSync wiring centers to the CoolMaster / CoolLinkBridge (AV Rack) using a 2-core 0.5mm flexible screened cable.

- ClimateSync to CoolMaster direct modbus link:** a 2-core 0.5mm flexible screened cable from each ClimateSync to the CoolMaster.

- ClimateSync to CoolPlug modbus Daisy chain:** 2-core 0.5mm flexible screened cable from each ClimateSync wiring centre to the respective CoolPlug's.

- CoolPlug to indoor unit:** from each CoolPlug to its respective Indoor AC fan coil unit, 2-core 0.75mm flexible cable

- Heating actuators, boiler and pump/valve:** install cables as required to connect the items to the ClimateSync wiring centre.

- CoolMaster to VRF Communication:** Install a 2-core 0.75mm flexible screened cable from the CoolMaster and Daisy chain to all VRF/VRF outdoor units

Note: for Electric UFH, the limit per ClimateSync relay is 5Amp. install a contactor for higher rates.
 Note: for water FCU's, use cable specification as required for the specific application. contact us if in doubt.

Optional Wall Controllers:

- Optional budget wall controller:**
 - Back box: 1-gang 47mm deep back box.
 - communication: Daisy chain: 2-core 0.5mm flexible screened cable from each ClimateSync wiring centre to the respective wall controllers.
 - Power Supply: 240vac power supply to each wall controller.
- Optional ClimatePad wall controllers:**
 - Back box: 2-gang 47mm deep back box installed behind the plasterboard (to create 57mm depth).
 - communication: Daisy chain: 2-core 0.5mm flexible screened cable from each ClimateSync wiring centre to the respective wall controllers.
 - Power Supply: Daisy chain 2-core 0.5mm flexible screened cable from a 5vdc power supply unit near each ClimateSync wiring centre to the respective wall controllers.
- Optional CentralPad (Central Controller for a single ClimateSync wiring centre):**
 - Back box: 2-gang 47mm deep back box installed behind the plasterboard (to create 57mm depth).

Client:		Page:	A3	Tenways Engineering Services Ltd Climate Controls Experts 85 Kenilworth Road, London, HA8 8XA Tel: +44 20 8203 1105 Email: info@tenways.co.uk Web: www.tenways.co.uk
Project:	ClimateSync Samples	Date:	15/02/2024	
Drawing:	Zone Types: Q,R,S	Var:	2	
Description:	Heating & Cooling Wiring Centre	Scale:	NTS	

